

LIGHTDROP™

product sheet

Suitable Controllers



also a free-standing spotlight

CREE
LEDs

KHATOD
Optical Solutions for LED Lighting

LumenRadio

Powerful and compact wireless light

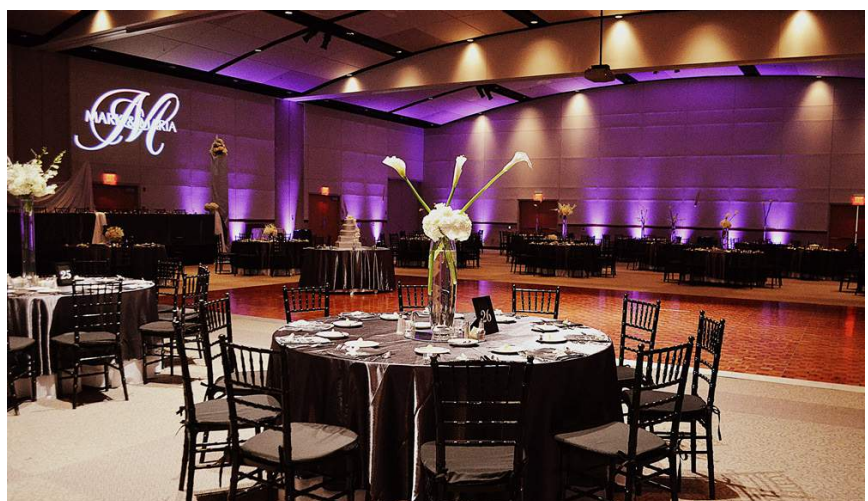
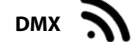
Lightdrop™

AX3

The Lightdrop™ has undergone an X-Series makeover. This easy to use, RGBW wireless puck spotlight has a magnetic underside so it can be attached to walls or under tables, or hung from ceilings by its bracket, and it can also be used as an angled spotlight as in the image above.

15W LED Power	up to 20 Hours of Operation	50,000 Hours LED Life	13° Beam Angle
390 Lumen	IP65 Water Proof	300m Range	RGBW CREE LED
1,300 Lux at 2m	IR + RF Controllable	Wireless DMX Controllable	Magnetic Underside

- RGBW Cree LED Chip
- TruColor™ Calibration
- Dynamic Power-boost
- CRMX Wireless DMX + W-DMX compatible
- IP65 Waterproof
- Long-life SAMSUNG Battery
- Extremely high luminous power
- Charging/Carry Case available (holds 8)



LIGHTDROP™

product sheet



TruColor™ Calibration

The Lightdrop™ has achieved 100% color consistency through any batch. It can hit exact color temperatures and reproduce any LEE filter. The dynamic power-boost feature means the light is able to display the maximum brightness at all times (to achieve a set runtime) and intensify non-white colors.

Quality Branded Components

The Lightdrop™ is able to achieve such natural colors and immense brightness due to using the world's best technological components. Included in this are long-life SAMSUNG batteries, high luminous Cree LEDs, and precision cut 13° lenses from optical specialist, Khatod.



Bracket for attaching to truss or other structures (clamp needed).



Detachable hooks for hanging



Underside magnet for attaching to table legs etc.

Mounting Options

The Lightdrop™ can be mounted in various ways. It has a bracket to be attached to truss and related structures. It also has a **magnet on its underside**, so it can be attached to metallic surfaces like under tables, as down lights etc. The Lightdrop™ can also be **hung using the included hooks** that can be attached to its underside.



Diffusor Dome for 270° illumination inside objects



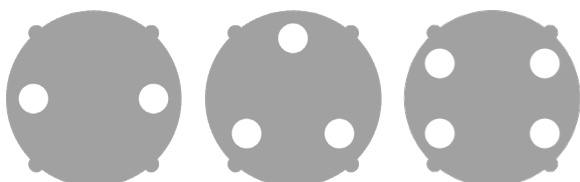
Adjustable tilt thread for wallwashing



Bracket to be used as adjustable stand for angled illumination

Other Uses

The Lightdrop™ is able to fit inside translucent, light up furniture, with a **diffusor dome** (sold separately) it emits an even amount of light to each side of the object. It can also be used as an angled spotlight by adjusting its bracket to the desired angle. As well as this, it can be used as a mini wallwasher by using the **wallwash diffusor** (sold separately) and adjusting the 13° tilt thread to produce a slight incline towards the wall.



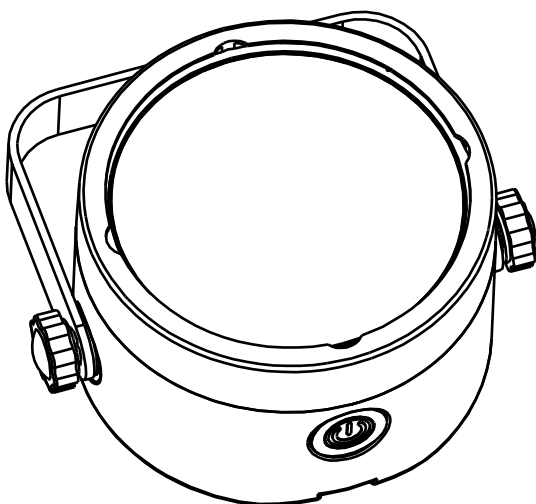
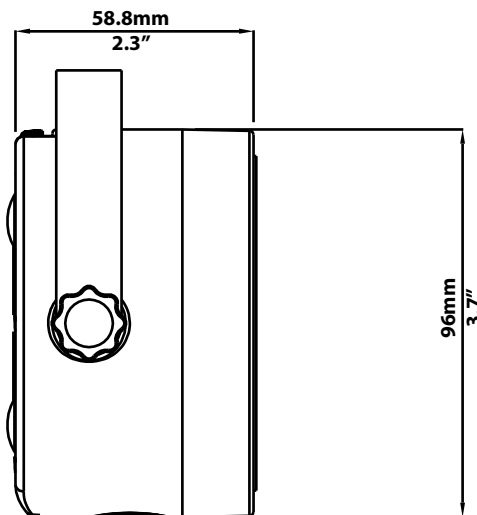
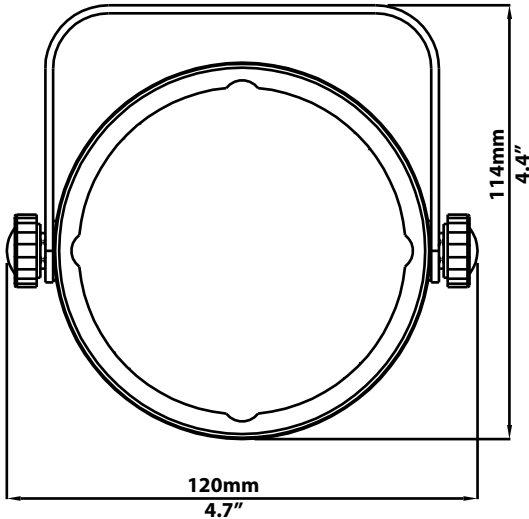
Diffusor Sheets

The Lightdrop™ also has diffuser sheets, so in addition to its standard 13° beam angle, it also has a **30° flood effect**, and a **120° sheet** for inside objects.

LIGHTDROP™

product sheet

LightDrop™



Technical Specification

The Lightdrop™ is the brightest and compact spotlight for its size.

Item Codes:	AX3 AX3-CRMX (includes Lumen Radio CRMX)
Total LED Power:	15W (1 x RGBW CREE LED Chip)
Luminous Flux:	390 lm (White) 170 lm (Green)
<i>typical values</i>	160 lm (Red) 56 lm (Blue)
Illuminance:	1,300 lx (White) 930 lx (Blue)
<i>typical values at 2m</i>	590 lx (Green) 475 lx (Red)
Strobe:	0-25Hz
Beam Angle:	13° (achieved through Khatod lens)
Battery:	Built-in Samsung battery
Battery Lifetime:	70% capacity (after 300 charging cycles)
Operation:	up to 20hrs (seamless runtime)
LED Lifetime:	50,000 hours
Charging Time:	5-20 hours (depending on ambient temp)
Working Voltage:	Input 110-240V, 50/60Hz
Input Current:	2.5A at 5V
Wireless Module:	868MHz receiver (US: 902-928MHz) 2.4GHz wireless module
Range:	300m (330yds)
Wired DMX:	No
Astera Wireless DMX:	Yes (with ART3 Transmitter)
CRMX Wireless DMX:	Optional (also compatible with W-DMX)
Housing:	Polyamide / Polystyrene (heat conductive)
IP Rating:	IP65
Relative Humidity:	0-100% (non-condensing)
Operating Temperature:	0°-40°C (32°-104°F)
Weight:	0.679kg (1.4lbs)
Dimensions:	L120mm x H59mm x W114mm L4.7" x H2.3" x W4.4"
Environment:	Indoor / Outdoor
Special Features:	TruColor™ Calibration (with dynamic power-boost)
Included Accessories:	Charger, 30° Flood & 120° Diffusor Sheet, Hooks, Bracket, Feet (x4), Socket Cover
Also Available:	17°x46° Wallwash, Diffusor Dome, Clamp Charging Case (holds 8)

Lightdrop™ Thread Sizes

