

# SPOTMAX™

## product sheet



Suitable Controllers



LumenRadio

*The elite in wireless technology*

SpotMax™

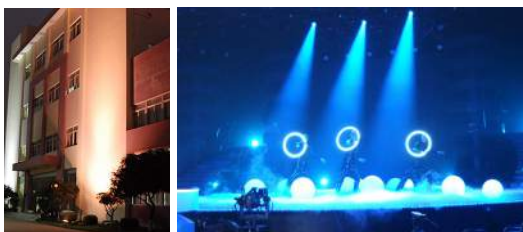
AX10

Bringing together years of knowledge in wireless lighting and German engineering, the SpotMax™ is the most advanced in wireless lighting. Benefits include:

- RGBAW Philips Lumileds LEDs
- 3 Multi-purpose Diffusor Options
- TruColor™ Calibration
- Dynamic Power-boost
- CRMX Wireless DMX + W-DMX
- IP65 Waterproof
- Waterproof Charging
- Long-life SAMSUNG Battery
- High-end Khatod Lenses
- Extremely high luminous power
- Uniquely designed foldable stand



135W LED Power	up to 20 Hours of Operation	50,000 Hours LED Life	13° Beam Angle
3,400 Lumen	IP65 Water Resistant	92 High CRI	RGBAW Lumileds LEDs
10,400 Lux at 2m	9 Khatod Lenses	300m Range	3-in-1 Diffusor Options



# SPOTMAX™

## product sheet



### TruColor™ Calibration

In basic terms, the TruColor™ Technology is a system of adjusting and enabling the LEDs to produce precise and consistent colors. To adjust to differing environments or when the LEDs get warm, the TruColor™ technology compensates for this and no difference will be seen in the color being shone. The TruColor™ Calibration includes a **dynamic power-boost feature**, which increases power output (brightness) while maintaining the color point. This means that the SpotMax™ can simultaneously achieve unparalleled intensity and exact color matching, which is extremely rare for spotlights in this price range. The SpotMax™ can reach **as high as 92** on the CRI.



### Beam Versatility

The SpotMax™ contains a holder on its face for placing diffusor lenses. This means that the SpotMax™ can produce any of three effects; a **perfect 13° spot**, a **32° wide angle spot**, and a **linear wallwash** effect (17° x 46°), making the SpotMax™ the perfect, all-inclusive spotlight for event illumination.



### Outdoor Use and Mounting

The SpotMax™ can also be used outdoors due to its **IP65 certified housing**, even when charging. Due to the Powercon True1 Neutrik connectors used, the SpotMax™ is **completely waterproof**.

By attaching the **Super Bolt** to its ergonomic handle, users can then attach the SpotMax™ to truss structures etc. (with a Manfrotto Super Clamp).



### Established Global Brands

The SpotMax™ is able to achieve such natural colors and immense brightness due to years of research into TruColor™ Technology, but also due to using the world's best technological components. Included in this are long-life **SAMSUNG batteries**, high luminous **Philips Lumileds**, precise **13° lenses** from optical specialist, Khatod, and **Powercon True1 waterproof connectors** from Neutrik.

### Safety and Transportation

The SpotMax™ also comes with safety hooks on each side. Users can attach safety leashes as required in the industry when affixing fixtures to truss etc. The SpotMax™ is also great for using as an emergency light with its AC failure setting. Additionally, the SpotMax™ has a **charging case available**, which can hold 4 or 8 fixtures (two sizes available).

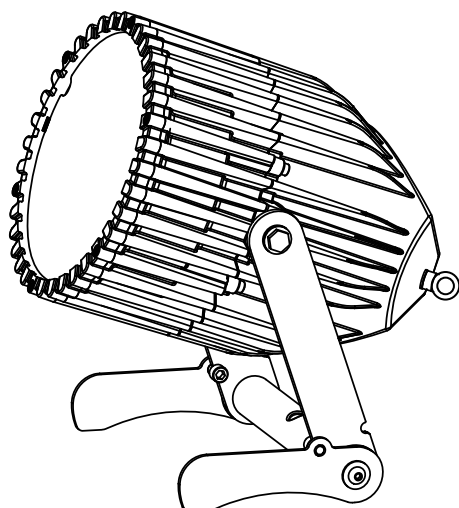
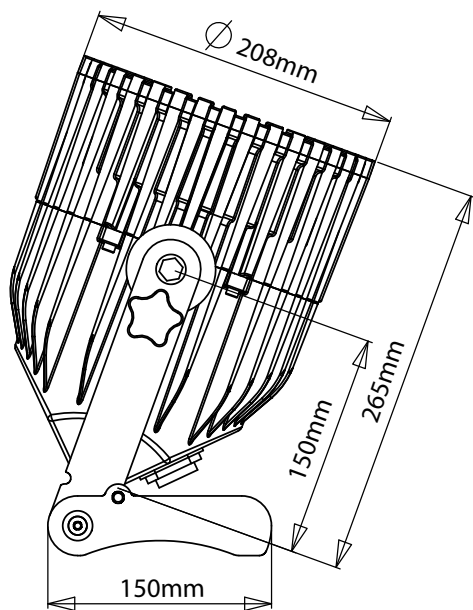
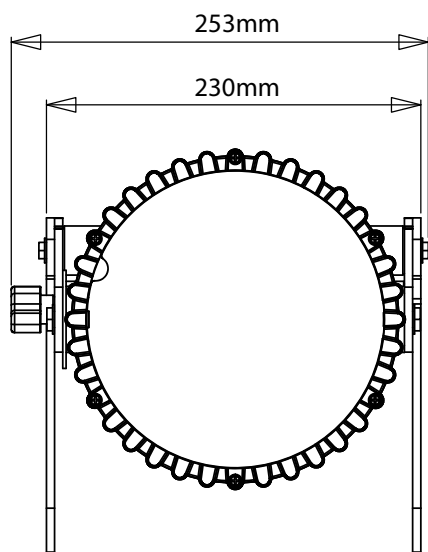


# SPOTMAX™

## product sheet



### SpotMax™



### Technical Specification

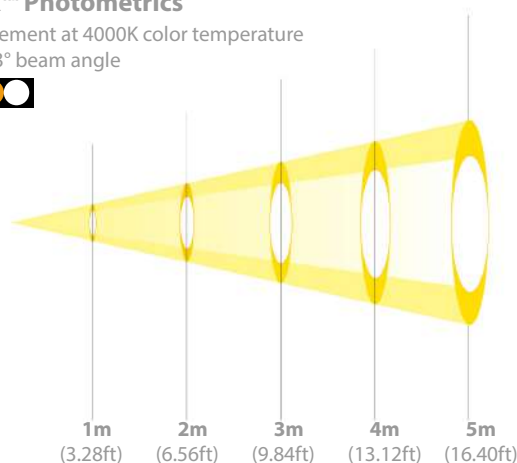
The SpotMax™ is the most powerful wireless fixture on the market.

<b>Illuminants:</b>	9 x 15W RGBAW Philips LEDs
<b>Total LED Power:</b>	135W
<b>Luminous Flux*:</b>	3,341 lm (White)    1,080 lm (Green) 491 lm (Red)    342 lm (Blue)
<b>Illuminance*:</b>	10,370 lx (White)
<b>CRI*:</b>	92 at 3000K (60%-70% intensity)
<b>Strobe:</b>	0-25Hz
<b>Beam Angle:</b>	13° (achieved through Khatod lenses)
<b>Battery:</b>	Built-in Samsung battery
<b>Battery Lifetime:</b>	70% capacity (after 300 charging cycles)
<b>Operation:</b>	up to 20hrs (seamless runtime)
<b>LED Lifetime:</b>	50,000 hours
<b>Charging Time:</b>	5-20 hours (depending on ambient temp.)
<b>Working Voltage:</b>	Input 110-240V, 50/60Hz
<b>Power Consumption:</b>	170W (maximum)
<b>Wireless Module:</b>	868MHz receiver (US: 902-928MHz) 2.4GHz wireless module
<b>Range:</b>	300m 330yds
<b>Wired DMX:</b>	No
<b>Astera Wireless DMX:</b>	Yes (with ART3 Transmitter)
<b>CRMX Wireless DMX:</b>	Yes (also compatible with W-DMX)
<b>Power Connectors:</b>	2 (Neutrik Powercon True1 In & Out)
<b>Housing:</b>	Cast aluminium, Tempered glass
<b>IP Rating:</b>	IP65
<b>Relative Humidity:</b>	0-100% (non-condensing)
<b>Operating Temperature:</b>	0°-40°C (32°-104°F)
<b>Weight:</b>	8.14kg 18lbs
<b>Dimensions:</b>	L279mm x H296mm x W253mm L10.9" x H11.6" x W9.9"
<b>Environment:</b>	Indoor / Outdoor
<b>Features:</b>	Temperature compensation, Dynamic power-boost, Auto-white, Auto-amber
<b>Included Accessories:</b>	Power Cord, 17°x46° Wallwash Diffuser, 32° Flood Diffuser
<b>Also Available:</b>	Charging Case (holds 4), Super Bolt

\*CRI, Luminous Flux and Illuminance values represent typical values.

### SpotMax™ Photometrics

Lux measurement at 4000K color temperature  
Standard 13° beam angle



	0.228m	0.456m	0.684m	0.911m	1.14m
Light Spread	0.228m	0.456m	0.684m	0.911m	1.14m
Coverage Area	0.04m <sup>2</sup>	0.16m <sup>2</sup>	0.36m <sup>2</sup>	0.65m <sup>2</sup>	1.02m <sup>2</sup>
Lux	34,400	10,370	4,700	2,760	1,810